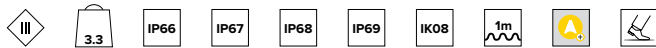
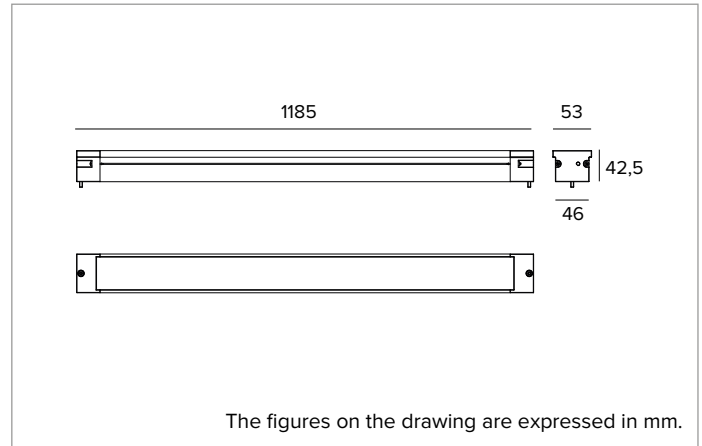


1E4331 | JEDI COMPACT Outdoor RGBW Recessed

Powerful recessed linear RGBW LED projector



The fixture's photometric values can be found on the following pages



SOURCE

Linear Mid Power Quad-chip RGBW LED board. Color temperature of the white source: 3000K.

Energy efficiency class: G

Nominal power: 48W

Nominal flux: See photometries

CCT nominal: See photometries

Lifetime (L80/B10): >50000h tq +25°C

ILLUMINOTECHNICAL CHARACTERISTICS

Internal optical system composed of a primary cylindrical glass lens, a high reflectance anodised aluminium reflector and an integrated holographic filter. Grazing light version.

Optic: HYBRID

Beam angles: GRZ

Optical efficiency: 72%

Fixture flux: See photometries

Luminous efficacy: See photometries

Photobiological safety: Compliant with RG1 low risk group

MECHANICAL CHARACTERISTICS

Extruded anodised aluminium 15µ body. Extra clear 5mm thick glass flat screen.

Colour and finish: Aluminium

Dimensions: L=1185mm

Weight: 3.3Kg

Version: REMOTE DRIVER

Degree of protection: IP66,IP67,IP68,IP69

Mechanical Resistance: IK08

ELECTRICAL CHARACTERISTICS

Remote driver version. Controlled using DMX-RDM protocols that allow to programme the fixture remotely (no dip-switch) using the DMX data line. Precabled with 1m 8x0.5mm² cable (Ø 8.5mm). Programming the fixtures is done using the USB-RDM programmer that is available as an accessory.

Fixture Power: See photometries

Power supply: 500mA

Insulation Class: CLASS 3

Driver included: NO

Class F: YES

Ambient temperature: -25°C / +35°C

INSTALLATION

To be completed with an anodised aluminium outer casing suitable for in-line installation and external looping.

NOTES

LMS Casambi wireless control available on request. Photometries show the maximum emission values of fixtures. Uses the "Waterblock Smart" technical solution that involves resin coating the connection cables, limiting the risk of humidity reaching the driver or the fixture. Values related to the power consumption of the fixture do not take into account the consumption of the accessory driver, which depends on the choice of driver. IP68: the projector is not suitable for permanent underwater installation but can withstand temporary accidental immersion to a depth of 2 metres (max.24h). IP69: IEC/EN 60529 standard compliant. Commissioning of the control system via free APP; the intervention of a specialist technician can be quoted on request.

WARRANTY

5 years.

WARNING

Luminaire designed for disposal/recycling at end-of-life. Replaceable (LED only) light source by a professional.

Due to the technological evolution of the electronic components, the data provided may be updated, and as such, confirmation must be requested during the order process.

Luminous flux and power supply have +/-10% tolerances with respect to the indicated value. tq +25°C (CIE 121).

We reserve the right to make technical changes.

Targetti Sankey S.r.l.
Via Pratese, 164
50145 Firenze - Italy
Tel: +39 055 37911
targetti.com
targetti@targetti.com

CCIAA Firenze
Share Capital:
€ 500.000,00
VAT N. (IT):
01537660480
R.E.A: FI-275656

TARGETTI

1E4331 | JEDI COMPACT Outdoor RGBW Recessed

Powerful recessed linear RGBW LED projector



		H(m)	D1(m)	D2(m)	E _{max} (lx)		
		-	76°	21°			
Fixture Power	48W	1	1.57	0.36	3774		
Source Flux	3588lm	2	3.14	0.73	943		
Fixture Flux	2581lm	3	4.71	1.09	419		
Efficacy	54lm/W	4	6.28	1.45	236		
TS1744	I _{max} =1052cd/klm	I _{max}	3774cd	5	7.85	1.81	151



		H(m)	D1(m)	D2(m)	E _{max} (lx)		
		-	76°	21°			
Fixture Power	35W	1	1.57	0.36	2150		
Source Flux	2044lm	2	3.14	0.73	537		
Fixture Flux	1470lm	3	4.71	1.09	239		
Efficacy	42lm/W	4	6.28	1.45	134		
TS1744	I _{max} =1052cd/klm	I _{max}	2150cd	5	7.85	1.81	86

RGBW

Fixture Power	48W
Nominal flux	3588lm
Fixture flux	2581lm
Luminous efficacy	54lm/W

RGB

Fixture Power	35W
Nominal flux	2044lm
Fixture flux	1470lm
Luminous efficacy	42lm/W



	3000K	H(m)	D1(m)	D2(m)	E _{max} (lx)		
		-	76°	21°			
Fixture Power	13W	1	1.57	0.36	1841		
Source Flux	1750lm	2	3.14	0.73	460		
Fixture Flux	1259lm	3	4.71	1.09	205		
Efficacy	100lm/W	4	6.28	1.45	115		
TS1744	I _{max} =1052cd/klm	I _{max}	1841cd	5	7.85	1.81	74



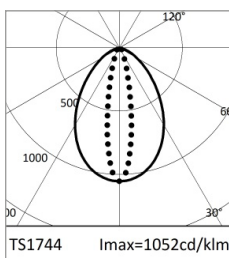
		H(m)	D1(m)	D2(m)	E _{max} (lx)		
		-	76°	21°			
Fixture Power	9W	1	1.57	0.36	636		
Source Flux	605lm	2	3.14	0.73	159		
Fixture Flux	435lm	3	4.71	1.09	71		
Efficacy	47lm/W	4	6.28	1.45	40		
TS1744	I _{max} =1052cd/klm	I _{max}	636cd	5	7.85	1.81	25

WHITE

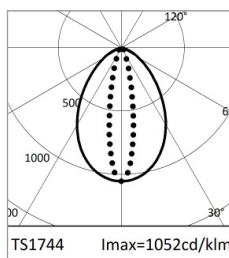
CCT nominal	3000K
Fixture Power	13W
Nominal flux	1750lm
Fixture flux	1259lm
Luminous efficacy	100lm/W

RED

Fixture Power	9W
Nominal flux	605lm
Fixture flux	435lm
Luminous efficacy	47lm/W



		H(m)	D1(m)	D2(m)	E _{max} (lx)		
		-	76°	21°			
Fixture Power	13W	1	1.57	0.36	1354		
Source Flux	1287lm	2	3.14	0.73	338		
Fixture Flux	926lm	3	4.71	1.09	150		
Efficacy	71lm/W	4	6.28	1.45	85		
TS1744	I _{max} =1052cd/klm	I _{max}	1354cd	5	7.85	1.81	54



		H(m)	D1(m)	D2(m)	E _{max} (lx)		
		-	76°	21°			
Fixture Power	13W	1	1.57	0.36	266		
Source Flux	253lm	2	3.14	0.73	67		
Fixture Flux	182lm	3	4.71	1.09	30		
Efficacy	14lm/W	4	6.28	1.45	17		
TS1744	I _{max} =1052cd/klm	I _{max}	266cd	5	7.85	1.81	11

GREEN

Fixture Power	13W
Nominal flux	1287lm
Fixture flux	926lm
Luminous efficacy	71lm/W

BLUE

Fixture Power	13W
Nominal flux	253lm
Fixture flux	182lm
Luminous efficacy	14lm/W

Due to the technological evolution of the electronic components, the data provided may be updated, and as such, confirmation must be requested during the order process. Luminous flux and power supply have +/-10% tolerances with respect to the indicated value. tq +25°C (CIE 121).

We reserve the right to make technical changes.

Targetti Sankey S.r.l.
Via Pratese, 164
50145 Firenze - Italy
Tel: +39 055 37911
targetti.com
targetti@targetti.com

CCIAA Firenze
Share Capital:
€ 500.000,00
VAT N. (IT):
01537660480
R.E.A.: FI-275656



1E4331 | JEDI COMPACT Outdoor RGBW Recessed

Powerful recessed linear RGBW LED projector

Related codes

Power Supply

Code
1E4271

DMX RDM 4 channel RGBW driver - 500mA.
50W, LxHxP=250x82x140mm, 120-277Vac.
IP68 gray powder coated aluminum box.

Insertion Box

L mm	H mm	P mm	Code
1189	58	94	1E3732

Aluminium outer casing for Jedi Compact with remote driver.

Accessories

Connector



Code
1E4362

Linear connection box IP66/IP68.
8 poles.

Tool



Code
1E3305

Tightening wrench for the connector kit.

Control systems



Code
1E2767

USB-RDM Programmer code.
DMX-RDM (Remote Device Management) address planner.
Used with the "RDM Targetti" software that can be downloaded for free from the Targetti website download section.
To be used with all RGBW products.
The USB-RDM programmer manages to direct DMX-RDM fixtures if there are no BUFFER or Splitter DMXs on the section.
Please refer to the instructions for more details.



Code
A077

my-SCENARIO Show Store.
Programmable DMX interface that integrates the latest innovations in lighting control in architectural and entertainment applications.
It features USB Type-C and Ethernet ports for programming and remote control.
The unit can be fully programmed with ESA Pro 2 software (available for Windows and Mac users) or via mobile applications such as Arcolis (available for iOS or Android devices).
It can be fully customised: pixel mapping, triggering management, patch configuration and much more.
The system offers great possibilities for the control of your lighting installation: multi zone control (allowing the management of up to 5 independent zones), extended triggers (time/date, Sunrise/Sunset, input ports, TCP/UDP commands), 16-bit channels management, full recovery after power loss, up to 99 total scenes, and 1024+ DMX channels.
The intuitive backlit keyboard comes with 10 preset buttons for a user friendly experience.

Due to the technological evolution of the electronic components, the data provided may be updated, and as such, confirmation must be requested during the order process.
Luminous flux and power supply have +/-10% tolerances with respect to the indicated value. tq +25°C (CIE 121).

We reserve the right to make technical changes.

Targetti Sankey S.r.l.
Via Pratese, 164
50145 Firenze - Italy
Tel: +39 055 37911
targetti.com
targetti@targetti.com

CCIAA Firenze
Share Capital:
€ 500.000,00
VAT N. (IT):
01537660480
R.E.A: FI-275656

TARGETTI

1E4331 | JEDI COMPACT Outdoor RGBW Recessed

Powerful recessed linear RGBW LED projector

Control systems



Code

1T6499

myScenario Wall.

DMX controller with a glass touch sensitive screen for architectural applications.

It can control two different DMX universes (2x 512 channels).

Stand alone function or connected to a computer using a USB port.

Software for creating scenarios (that can be downloaded from the Targetti website) included.

It can manage 10 different lighting zones and 50 scenarios per zone.

The touch keys on the front make it possible to modify and recall programmed scenarios.

USB cable included.

To be used with all RGBW products.

Due to the technological evolution of the electronic components, the data provided may be updated, and as such, confirmation must be requested during the order process.

Luminous flux and power supply have +/-10% tolerances with respect to the indicated value. tq +25°C (CIE 121).

We reserve the right to make technical changes.

Targetti Sankey S.r.l.
Via Pratese, 164
50145 Firenze - Italy
Tel: +39 055 37911
targetti.com
targetti@targetti.com

CCIAA Firenze
Share Capital:
€ 500.000,00
VAT N. (IT):
01537660480
R.E.A: FI-275656

TARGETTI